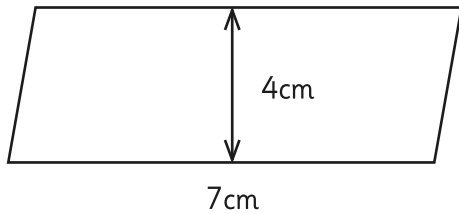


# Area of Parallelograms

I can calculate the area of a parallelogram.

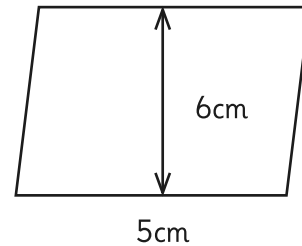
Calculate the area of each parallelogram.

1.



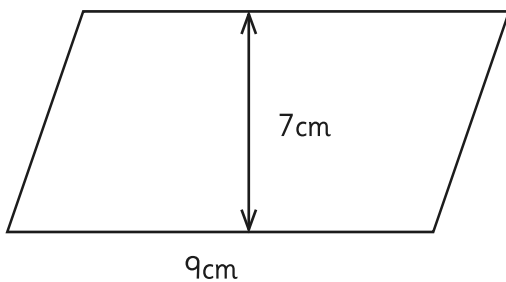
Area =

2.



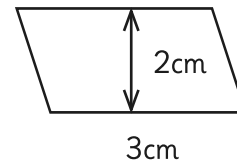
Area =

3.



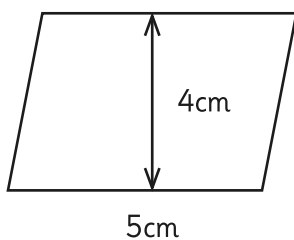
Area =

4.



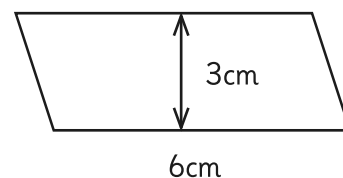
Area =

5.



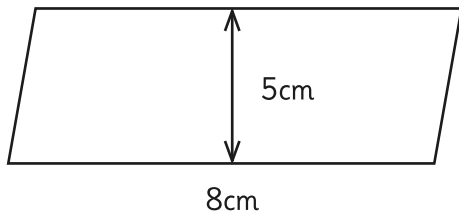
Area =

6.



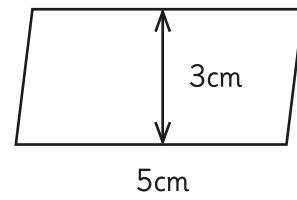
Area =

7.



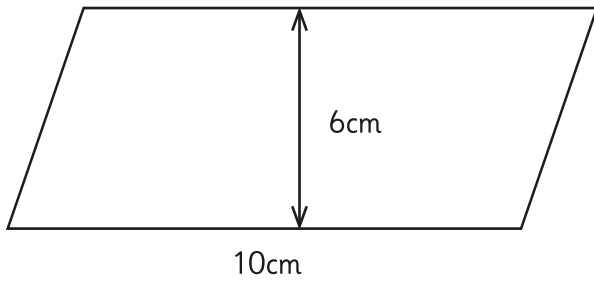
Area =

8.



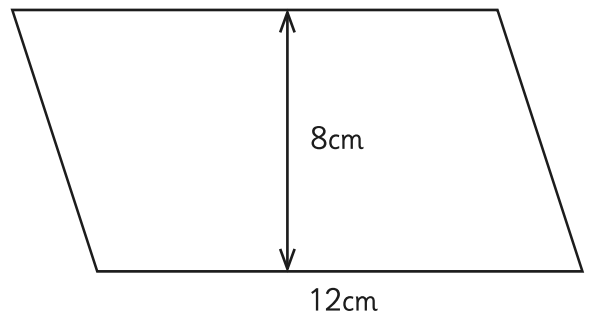
Area =

9.



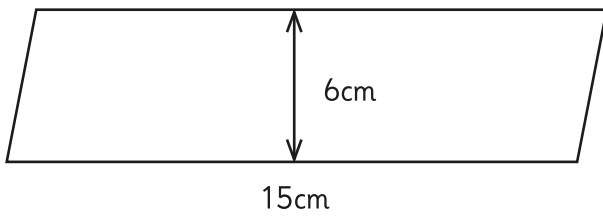
Area =

10.



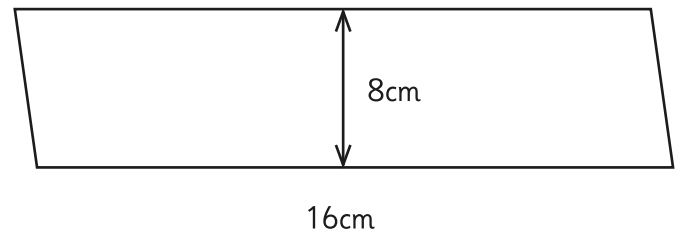
Area =

11.



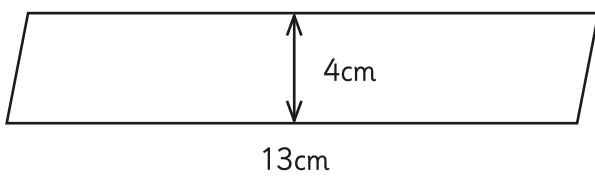
Area =

12.



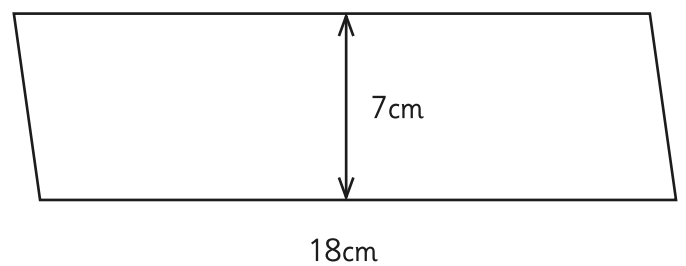
Area =

13.

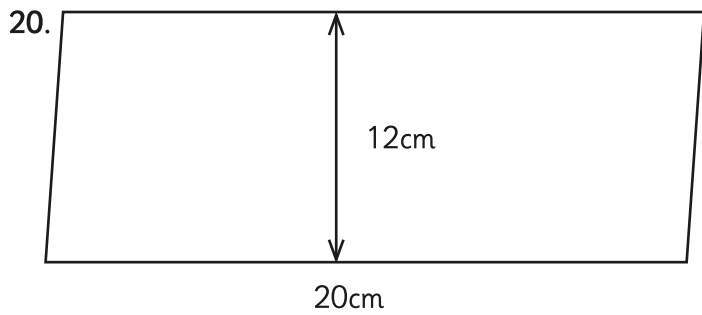


Area =

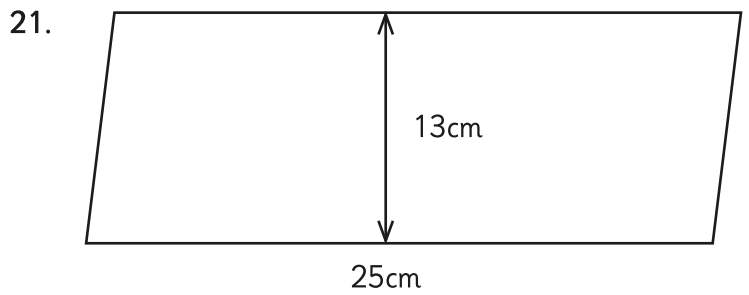
14.



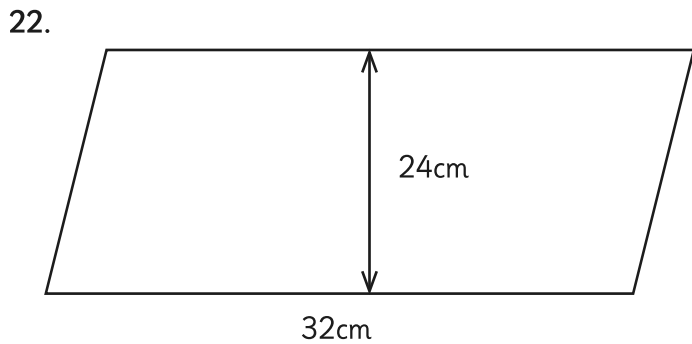
Area =



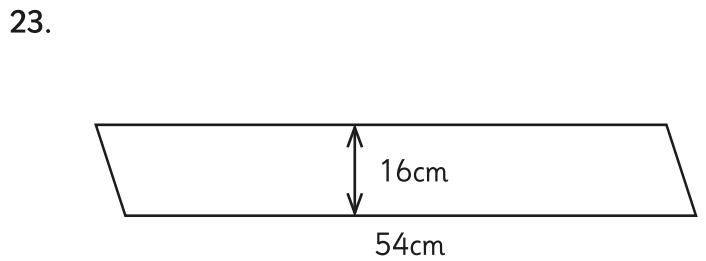
Area =



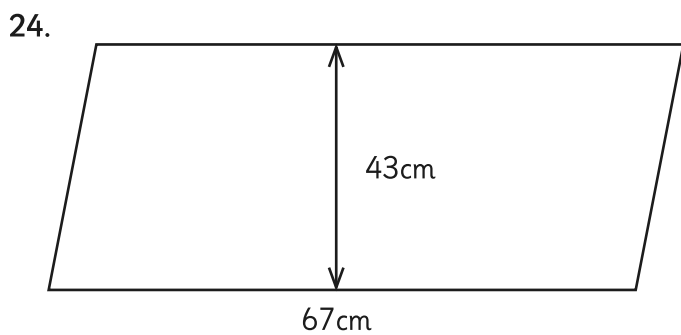
Area =



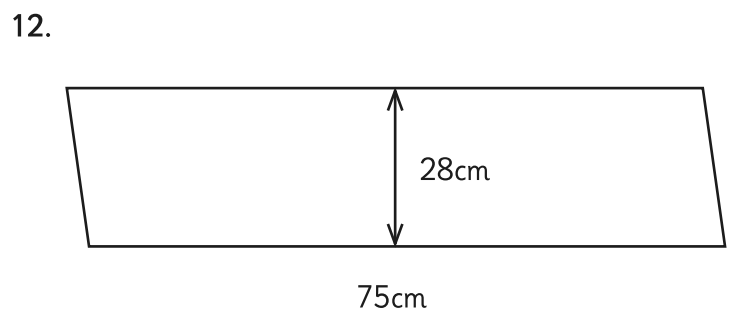
Area =



Area =



Area =



Area =

# Area of Parallelograms Answers

Calculate the area of each parallelogram.

Number	Answer
1.	<b>28cm<sup>2</sup></b>
2.	<b>30cm<sup>2</sup></b>
3.	<b>63cm<sup>2</sup></b>
4.	<b>6cm<sup>2</sup></b>
5.	<b>20cm<sup>2</sup></b>
6.	<b>18cm<sup>2</sup></b>
7.	<b>40cm<sup>2</sup></b>
8.	<b>15cm<sup>2</sup></b>
9.	<b>60cm<sup>2</sup></b>
10.	<b>96cm<sup>2</sup></b>
11.	<b>90cm<sup>2</sup></b>
12.	<b>128cm<sup>2</sup></b>
13.	<b>52cm<sup>2</sup></b>
14.	<b>126cm<sup>2</sup></b>
15.	<b>240cm<sup>2</sup></b>
16.	<b>325cm<sup>2</sup></b>
17.	<b>768cm<sup>2</sup></b>
18.	<b>864cm<sup>2</sup></b>
19.	<b>2881cm<sup>2</sup></b>
20.	<b>2100cm<sup>2</sup></b>